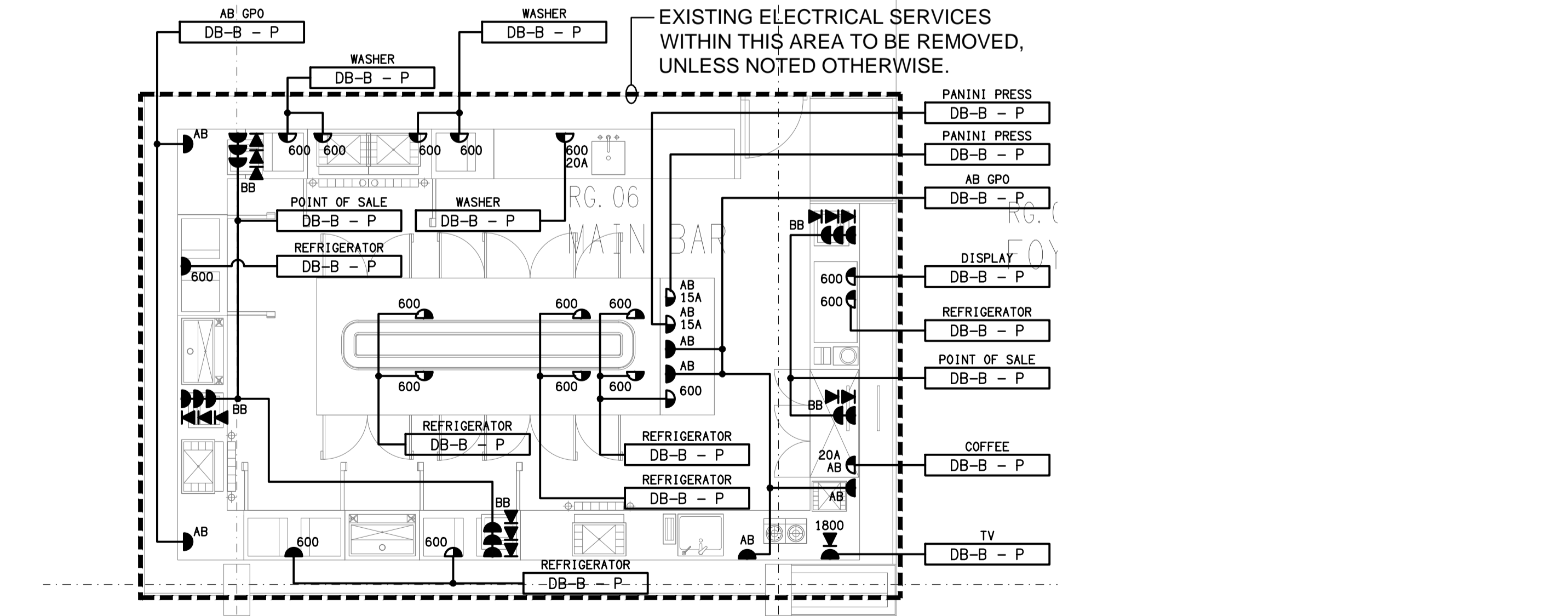
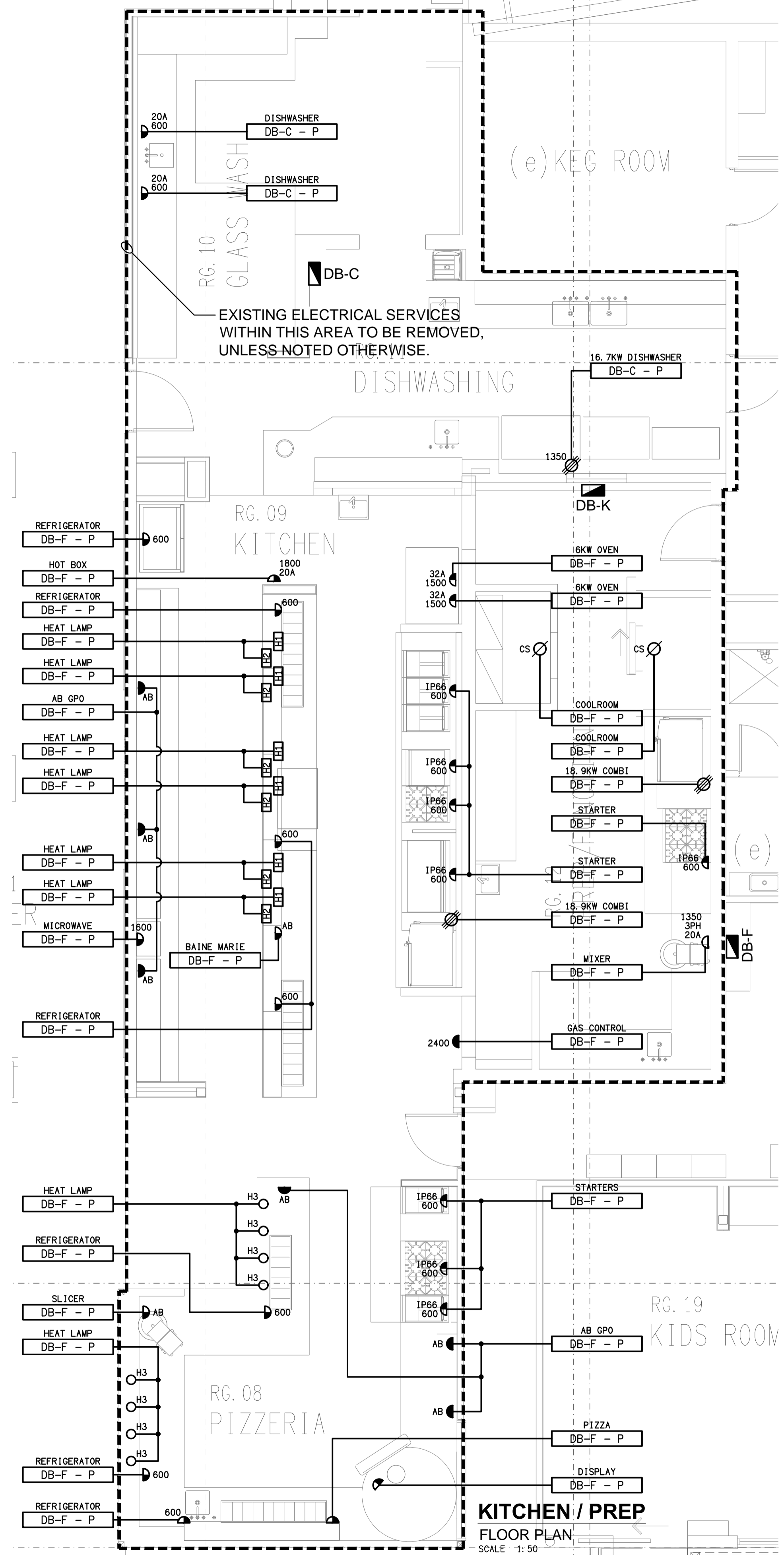


GAMING ROOM
FLOOR PLAN
SCALE 1:50



MAIN BAR
FLOOR PLAN
SCALE 1:50



KITCHEN / PREP
FLOOR PLAN
SCALE 1:50

ELECTRICAL DESIGN GROUP BRISBANE
PTY LTD
ACN 092 710 793
TRADING AS:
ELECTRICAL DESIGN GROUP

THE COPYRIGHT OF THIS DRAWING
REMAINS THE PROPERTY OF THE
ELECTRICAL DESIGN GROUP.
USE FIGURED DIMENSIONS
IN PREFERENCE TO SCALE.
ALL DIMENSIONS TO BE
VERIFIED ONSITE.

ELECTRICAL DESIGN GROUP
ELECTRICAL BUILDING SERVICES CONSULTANTS
BRISBANE GOLD COAST

P.O. Box 15, Sherwood Q.4075
Phone: (07) 3278 4375
Email: brisbane@edg.net.au
Web: www.edg.net.au

PROJECT:
BRACKEN RIDGE TAVERN

154 BARRETT STREET, BRACKEN RIDGE

A	PRELIMINARY	28/02/2025
REV:	DESCRIPTION:	DATE:

DRAWING:
**ELECTRICAL SERVICES
PART B
FLOOR PLAN DETAILS**

SCALE: 1:50 UNO AT A1 PROJECT NO: **C3358a** DRAWING NO: **E07** REVISION: **A**